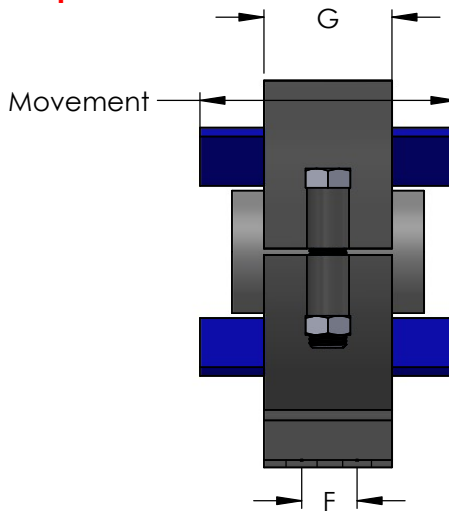
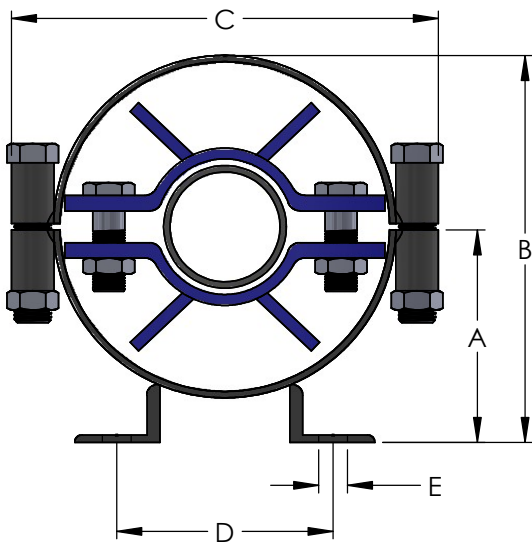


**Guide Hardware:**

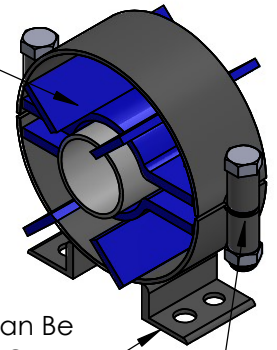
Material: Carbon Steel

Finish: One Coat of Paint

For Copper Tube Clamps Use **Dielectric Spacers**



Spider Spacers Center Pipe In Housing And Are Sized To Allow Insulation To Be Packed Around Pipe



Feet Can Be Bolted Or Welded To Structure

Split Housing For Easy Installation

Provides Lateral Stability To The Pipe To Prevent "Bowling".  
Guides Are Not Designed To Support The Weight Of The Pipe.

Size	Ins	Model	A	B	C	D	E	F	G	Movement	Weight
1/2"	3"	PG 004-308-4	5-1/4"	9-1/4"	10-1/8"	6-1/8"	5/8"	1-3/4"	3"	4"	11 lbs
3/4"	3"	PG 006-308-4	5-1/4"	9-1/4"	10-1/8"	6-3/8"	5/8"	1-3/4"	3"	4"	11 lbs
1"	3"	PG 010-308-4	5-1/4"	9-1/4"	10-1/8"	6-3/8"	5/8"	1-3/4"	3"	4"	11 lbs
1-1/4"	3"	PG 012-308-4	5-1/4"	9-1/4"	10-1/8"	6-3/8"	5/8"	1-3/4"	3"	4"	11 lbs
1-1/2"	3"	PG 014-308-4	5-1/4"	9-1/4"	10-1/8"	6-3/8"	5/8"	1-3/4"	3"	4"	11 lbs
2"	3"	PG 020-310-4	6-1/4"	11-5/8"	12-1/8"	7-1/8"	5/8"	2-3/4"	4"	4"	17 lbs
2-1/2"	3"	PG 024-310-4	6-1/4"	11-5/8"	12-1/8"	7-1/8"	5/8"	2-3/4"	4"	4"	17 lbs
3"	3"	PG 030-310-4	6-1/4"	11-5/8"	12-1/8"	7-1/8"	5/8"	2-3/4"	4"	4"	17 lbs
4"	3"	PG 040-312-4	7"	13-3/8"	14-1/8"	8-3/8"	5/8"	2-3/4"	4"	4"	20 lbs
5"	3"	PG 050-312-4	7"	13-3/8"	14-1/8"	8-3/8"	5/8"	2-3/4"	4"	4"	20 lbs
6"	3"	PG 060-314-6	7-7/8"	15-1/8"	16-1/8"	9-7/8"	3/4"	4"	6"	6"	40 lbs
8"	3"	PG 080-316-6	8-7/8"	17"	18-1/8"	10-7/8"	3/4"	4"	6"	6"	48 lbs
10"	3"	PG 100-318-6	9-3/4"	18-3/4"	20-1/8"	11-7/8"	3/4"	4"	6"	6"	54 lbs
12"	3"	PG 120-320-6	10-7/8"	21"	22-1/8"	11-3/4"	3/4"	4"	6"	6"	61 lbs
14"	3"	PG 140-322-8	12-1/8"	23-1/8"	24-1/8"	14-1/2"	7/8"	6"	8"	8"	89 lbs
16"	3"	PG 160-324-8	13"	25"	26-1/8"	15-1/2"	7/8"	6"	8"	8"	102 lbs
18"	3"	PG 180-326-8	14-3/4"	27-3/4"	28-1/8"	17-1/8"	1-1/8"	6"	8"	8"	110 lbs
20"	3"	PG 200-330-8	16-1/2"	31-1/2"	32-1/8"	19-1/4"	1-1/8"	6"	8"	8"	150 lbs

**\*Extended Spider Guides Are Available,  
Contact Engineered Flexible Products For  
Options.**

REV. DRAWN BY: CL Date: 1/18/2021



5331 Quam Ave NE  
St. Michael, MN 55376  
Phone: 763-201-2151  
Fax: 763-201-2134  
Email: sales@engineeredflex.com

Style: **SPIDER PIPE GUIDES FOR  
3" INSULATION**

SCALE: NONE DRAWING NUMBER:

CUSTOMER: \_\_\_\_\_

PROJECT: \_\_\_\_\_